

RAVEN™ USB Adapter



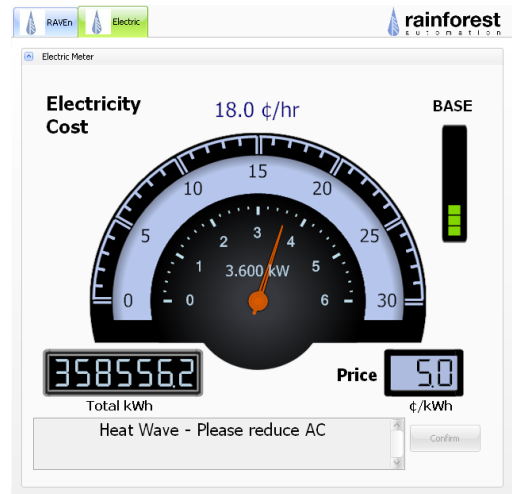
The **RAVEN™** Radio Adapter for Viewing Energy product is a USB device that communicates directly with smart meters that have been equipped with ZigBee® Smart Energy wireless capability. It comes with *Personal Meter Reader™* software that allows homeowners to see their energy consumption information in real time, on their own home computer.



Personal Meter Reader™ has a familiar, straightforward user interface. In addition to meter readings, it also supports rich features, such as messaging, price rate, and price tier information.

- Complete IHD on a USB stick
- Very low cost
- Simple user experience
- Automatic joining
- Certified ZigBee® Smart Energy profile
- Secured with Elliptic Curve Cryptography (ECC)

The **RAVEN™** plugs into any available USB port. The *Personal Meter Reader™* software runs on Windows XP or Windows 7 operating systems.



RAVEN™ and *Personal Meter Reader™* provide the complete capabilities of a rich, graphical In-Home Display (IHD) in a convenient and inexpensive USB form factor.

Technical Specifications	
Software Requirements	Windows XP or Windows 7, with .NET 2.0 SP 2
Hardware Requirements	PC with a USB port
Wireless	IEEE 802.15.4 MAC, 2.4GHz ISM Band Integrated Antenna Receiver sensitivity: -99dBm, Transmit Power: +20dBm
Wireless Range	Up to 50m (150ft) (highly dependent on usage environment)
Upgrade Path	Field upgradable firmware over-the-air via Smart Meter, or PC via USB
Standards	ZigBee® Smart Energy Profile 1.0
Security	Preconfigured Link Key, Certicom Implicit Certificate Authentication
Provisioning	Factory/warehouse pre-pairing based on Installation Code or user pairing through phone/web based automated activation.



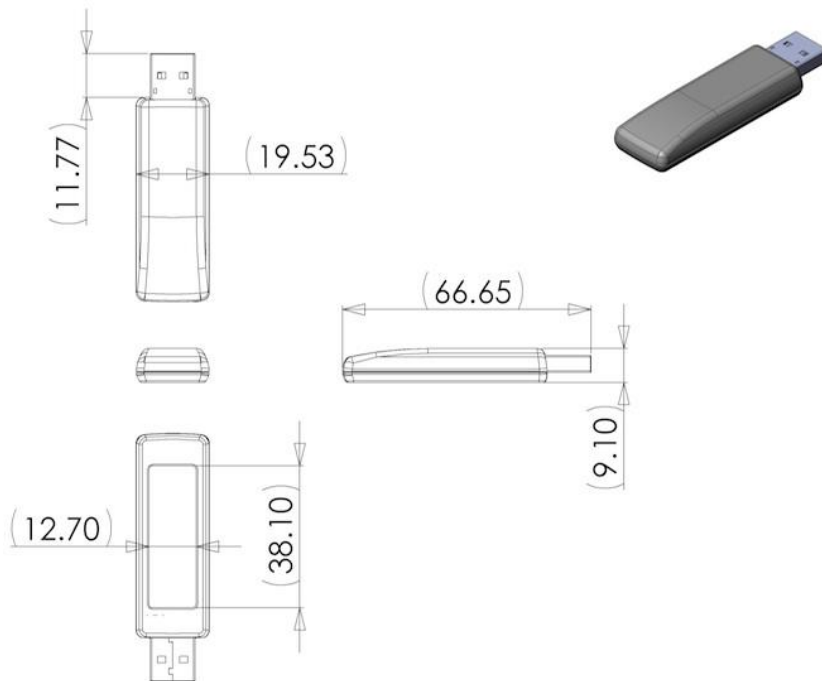
Rainforest Automation, Inc.
34 West 7th Avenue
Vancouver, BC V5Y 1L6
Canada

sales@rainforestautomation.com
www.rainforestautomation.com

RAVEN™ USB Adapter

RAVEN™ has a straightforward XML Application Programming Interface (API). This enables the rapid development of third party applications. The API allows developers unfamiliar with ZigBee® to create advanced user interfaces and value-added services without having to deal with ZigBee® communications protocols or radio frequency (RF) hardware design. As standards change, new generations of RAVEN™ firmware will allow systems to be upgraded painlessly.

RAVEN™ makes it easy to add ZigBee® Smart Energy to your product.



Physical Specifications

Operating Temperature	0°C to 50°C (indoor use only)
Storage Temperature	-10°C to 60°C
Dimensions	66.65mm x 19.53mm x 9.10mm (includes USB connector)
Weight	10g
Warranty	One year

Ordering Info

RFA-Z106	RAVEN™ USB Adapter
----------	--------------------



Rainforest Automation, Inc.
34 West 7th Avenue
Vancouver, BC V5Y 1L6
Canada

sales@rainforestautomation.com
www.rainforestautomation.com